

가변 용량형 피스톤 펌프

Piston Pump

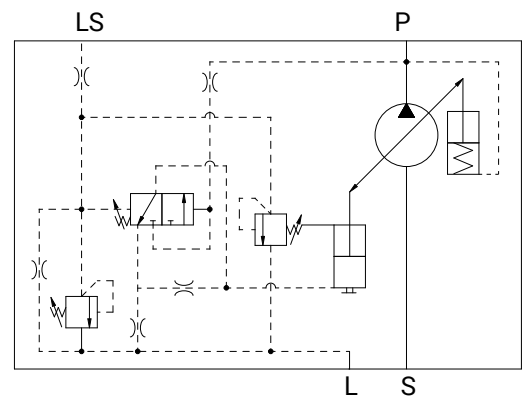
Variable Displacement,
with Load Sensing Controller



기술제원 Technical Data

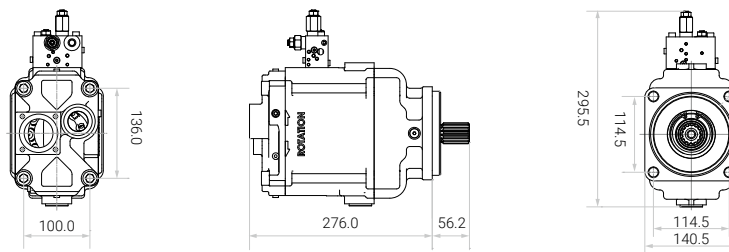
Max. Displacement (cm ³ /rev)	110
Nominal Pressure (bar)	350
Max. Pressure (bar)	400
Max. Revolution (rpm)	2,200
Min. Revolution (rpm)	500
Max. Permissible Drive Torque (Nm)	640
Response Sensitivity (%)	≤ 0.1
Ambient Temperature (°C)	-40 ~ +63
Weight (kg) (Thru Shaft Type)	34

회로도 Circuit Diagram



외형 치수 Dimension

Basic Type



Thru Shaft Type

