



서보밸브

Servo Valves

2 Stage,
Nozzle Flapper,
Electrohydraulic

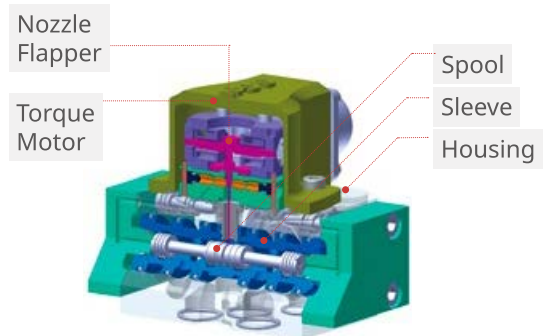


기술제원 Technical Data

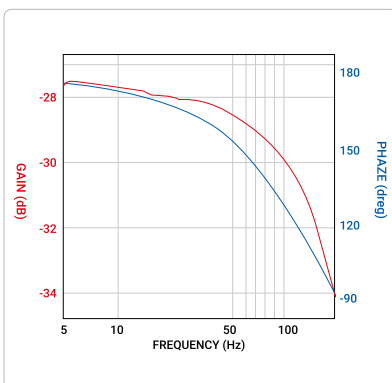
Model	S63	S38	S19	S04
Max. Operating Pressure (bar)	350	350	350	350
Rated Flow $\pm 10\%$ @70bar (lpm)	63	38	19	4
Threshold (%)	0.5 ▼	0.5 ▼	0.5 ▼	0.5 ▼
Hysteresis (%)	3.0 ▼	3.0 ▼	3.0 ▼	3.0 ▼
Internal Leakage @210bar (lpm)	2.4	2.4	2.4	1.2
Frequency Response (Hz)	60	80	120	120
Weight (kg)	1	1	1	1
Mounting Pattern	ISO 10372-04-04-0-92			

* Environmental test according to MIL-STD-810

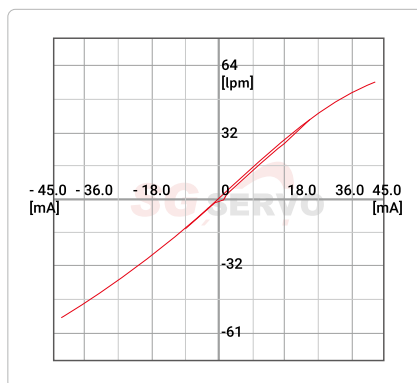
단면도 Cross Section



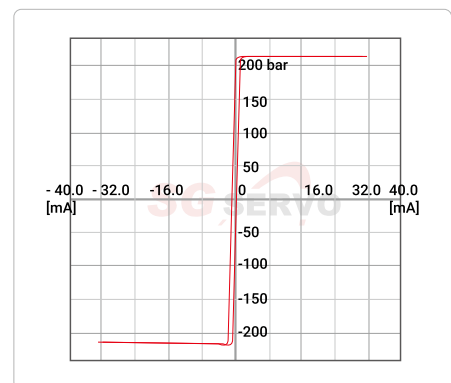
시험 그래프 Test Graph



Frequency Response



Flow Gain



Pressure Gain



비례밸브

Proportional Valve

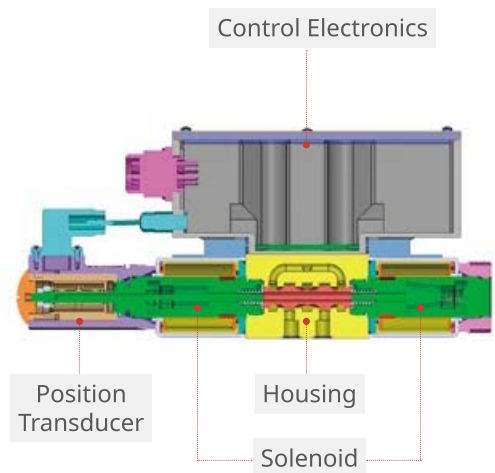
Flow Control,
with Integrated Electronics



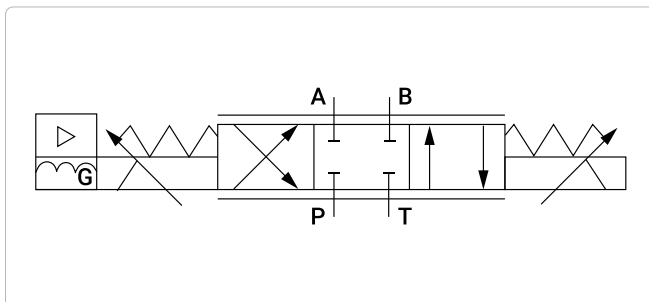
기술제원 Technical Data

Max. Operating Pressure (bar)	Port P, A, B	350
	Port T	210
Nominal Flow @ ΔP=10bar (lpm)		32
Max. Permissible Flow (lpm)		80
Pressure Fluid Temperature Range (°C)		-20 ~ +80 (preferably +40 ~ +50)
Hysteresis (%)		≤ 0.5
Reversal Span (%)		≤ 0.5
Response Sensitivity (%)		≤ 0.1
Nominal Supply Voltage (VDC)		24
Command Voltage Input (VDC)		±10
Weight (kg)		2.5
Mounting Pattern		ISO 4401-03-02-0-05

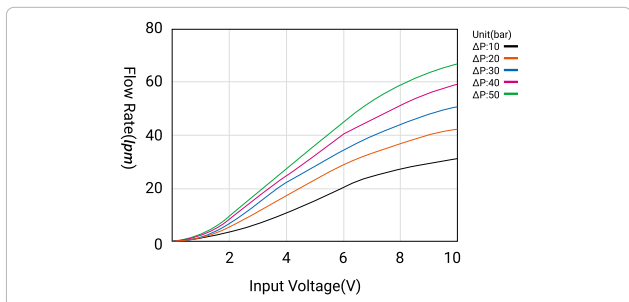
단면도 Cross Section



유압기호 및 시험 그래프 Graphic Symbol and Test Graph



Graphic Symbol



Flow Characteristic Curve

스풀 & 슬리브

Spools & Sleeves

For High Response
Servo Valves



SMK Series



SIAS Series



SFMV Series



SG Series

기술제원 Technical Data

No	Model	Max. Operating Pressure (bar)	Hysteresis (%)	Rated Flow @70bar (lpm)	Internal Leakage (lpm)
1	SMK 60	343	1.0 ▼	227	4.5 ▼ (@70 bar)
2	SMK 200	343	0.5 ▼	756	8.3 ▼ (@70 bar)
3	SIAS 250	245	1.0 ▼	250	3.0 ▼ (@70 bar)
4	SIAS 350	245	1.0 ▼	350	3.0 ▼ (@70 bar)
5	SG 250	210	1.0 ▼	25	3.0 ▼ (@140 bar)
6	SG 251	210	1.0 ▼	25	3.0 ▼ (@140 bar)
7	SG 450	210	1.0 ▼	45	3.0 ▼ (@140 bar)
8	SG 451	210	1.0 ▼	45	3.0 ▼ (@140 bar)
9	SG 900	210	1.0 ▼	90	4.5 ▼ (@140 bar)
10	SG 901	210	1.0 ▼	90	4.5 ▼ (@140 bar)
11	SG 1800	210	1.0 ▼	180	5.0 ▼ (@70 bar)
12	SFMV 150	210	-	150	-
13	SJ 079	350	1.0 ▼	114 / 228	8.5 ▼ (@70 bar)



퀵 커플링

Quick Disconnect Couplings

For Aircraft Hydraulic,
Self Sealing, Ratchet Lock,
Minimum Pressure Loss

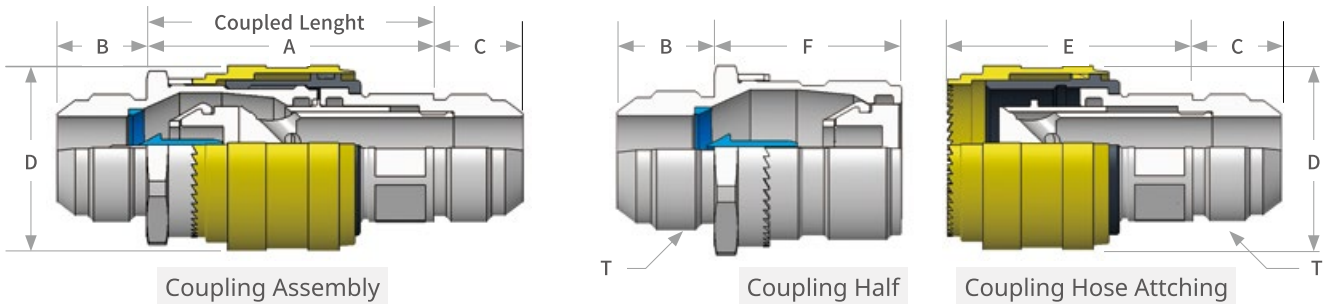


기술제원 Technical Data

Dash Size	-4	-10	-12	-16	-32
Operating Pressure (psi)	3,000	3,000	3,000	3,000	600
Pressure Drop Max. (psi)	8	8	8	8	3
Coupling Assembly Weight (Lbs)	0.176	0.780	0.877	1.287	3.144

※ Conformance to MIL-DTL-25427

외형 치수 Dimension



Dash Size	-4	-10	-12	-16	-32
Letter Code	E	J	K	M	R
Tube Size	1/4"	5/8"	3/4"	1"	2"
A	1.59	2.47	2.59	3.00	4.55
B	0.55	0.76	0.86	0.91	1.33
C	0.55	0.76	0.86	0.91	1.33
D Max.	0.88	1.48	1.64	1.91	3.48
E	1.13	1.92	2.27	2.54	3.55
F	0.99	1.51	1.51	1.76	2.95
Thd "T"	0.4375-20 UNJF-3A	0.8750-14 UNJF-3A	1.0625-12 UNJ-3A	1.3125-12 UNJ-3A	2.2500-12 UNJ-3A

※ All dimensions in inches



가변 용량형 피스톤 펌프

Piston Pump

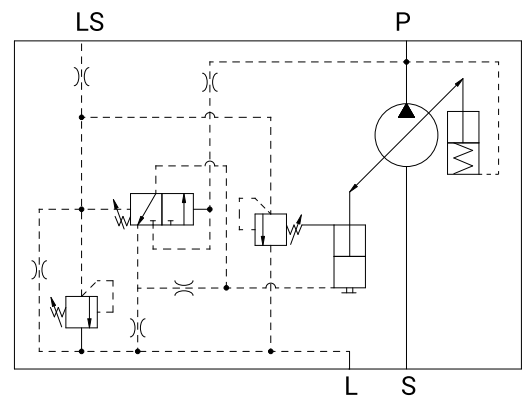
Variable Displacement,
with Load Sensing Controller



기술제원 Technical Data

Max. Displacement (cm ³ /rev)	110
Nominal Pressure (bar)	350
Max. Pressure (bar)	400
Max. Revolution (rpm)	2,200
Min. Revolution (rpm)	500
Max. Permissible Drive Torque (Nm)	640
Response Sensitivity (%)	≤ 0.1
Ambient Temperature (°C)	-40 ~ +63
Weight (kg) (Thru Shaft Type)	34

회로도 Circuit Diagram



외형 치수 Dimension

Basic Type

Thru Shaft Type